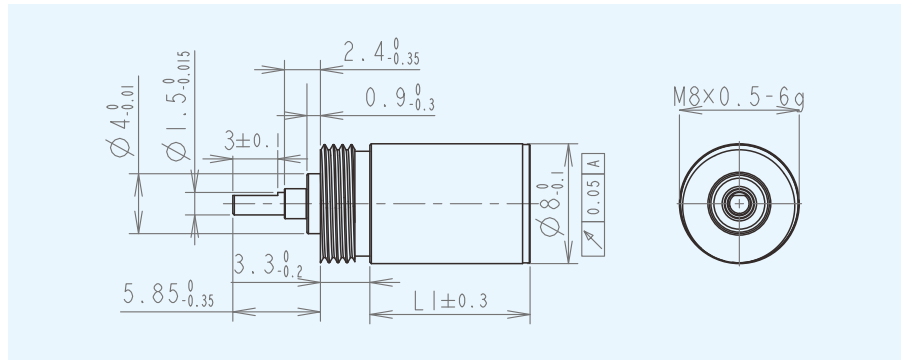


ZWSMD008008

Φ8mm Planetary Gearbox



Gearbox Technical Data

	1	2	3	4	5
Number of stages	1	2	3	4	5
Max. continuous torque (Nm)	0.01	0.02	0.06	0.08	0.1
Max. intermittent torque (Nm)	0.015	0.03	0.09	0.12	0.15
Reduction Ratio	4	16, 36	64, 216	256, 1296	1024
Outer Diameter (mm)	8	8	8	8	8
Gearbox Length L1(mm)	5.5	8.1	10.7	13.3	15.9
Max. efficiency (%)	90	81	73	65	59
Recommended temperature range (°C)	-30~+85	-30~+85	-30~+85	-30~+85	-30~+85
Max. Weight (G)	2.6	3.2	3.8	4.4	5
Max. continuous transmittable power (W)	0.84	0.52	0.39	0.13	0.04
Max. intermittent transmittable power (W)	1.05	0.65	0.49	0.16	0.05
Average backlash no load (°)	1.8	2	2.2	2.5	3
Max. axial load (dynamic) (N)	5	5	5	5	5
Max. radial load (4mm from flange) (N)	5	6	7	8	8
Bearing at output	ball bearing	ball bearing	ball bearing	ball bearing	ball bearing
Axial play (mm)	0~0.1	0~0.1	0~0.1	0~0.1	0~0.1

* Note: Data above does not include the motor. Specifications can be customized per customer requirements.

Modular assembly

Integrated Product	Part No.	Number of stages				
		1	2	3	4	5
		Length(mm)				
DC Motor	MP0816 Φ8mm graphite brush	22.5	25.1	27.7	30.3	32.9
Brushless Motor	MO0832 Φ8mm coreless brushless motor	37.50	40.10	42.70	45.30	47.90
	MC0824 Φ8mm coreless brushless motor	29.50	32.10	34.70	37.30	39.90
Encoder	CB-ST-8	Magnetic Encoder				

Product Specifications

PART NO.	Rated Voltage (V)	No-Load Data		Load Data			Overall Length (mm)	Gearbox Rated Allowable Torque (NM)	Gearbox Intermittent Allowable Torque (NM)	Reduction Ratio	Gearbox Length L1(mm)
		No-Load Speed (rpm)	No-Load Current (mA max)	Load Speed (rpm)	Load Current (A Max)	Torque (N.m)					
ZWSMD008008-04-X	12	9625	120	6375	0.55	0.01	29.5	0.01	0.015	4	5.5
ZWSMD008008-16-X	12	2406	130	1594	0.6	0.03	32.1	0.02	0.03	16	8.1
ZWSMD008008-36-X	12	1069	130	708	0.6	0.01		0.008	0.012	36	
ZWSMD008008-64-X	12	602	140	398	0.6	0.06	34.7	0.06	0.09	64	10.7
ZWSMD008008-216-X	12	178	140	118	0.6	0.02		0.02	0.03	216	
ZWSMD008008-256-X	12	150	150	100	0.65	0.08	37.3	0.08	0.12	256	13.3
ZWSMD008008-1296-X	12	30	150	20	0.65	0.04		0.04	0.06	1296	
ZWSMD008008-1024-X	12	38	160	25	0.7	0.10	39.9	0.1	0.15	1024	15.9