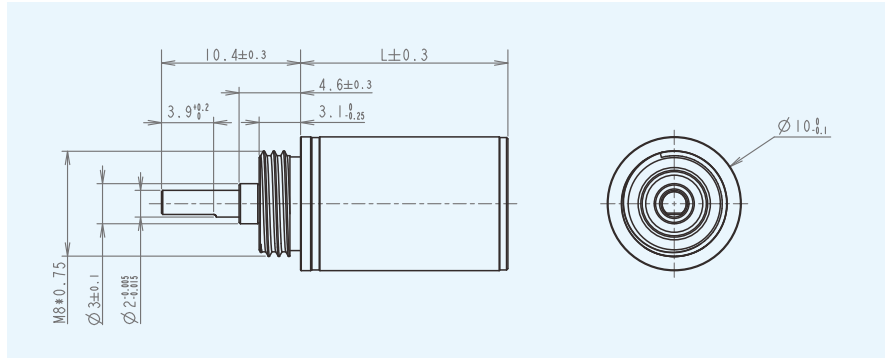


# ZWSMD010010

## Φ10mm Planetary Gearbox



### Gearbox Technical Data

	1	2	3	4	5
Number of stages	1	2	3	4	5
Max. continuous torque (Nm)	0.01	0.03	0.1	0.15	0.15
Max. intermittent torque (Nm)	0.02	0.05	0.15	0.2	0.2
Reduction Ratio	4	16	64	256	1024
Outer Diameter (mm)	10	10	10	10	10
Gearbox Length L1(mm)	8.6	12.1	15.5	18.5	21.9
Max. efficiency (%)	90	80	70	60	55
Recommended temperature range (°C)	-40~+100	-40~+100	-40~+100	-40~+100	-40~+100
Max. Weight (G)	6.6	7	7.6	8.1	8.6
Max. continuous transmittable power (W)	1.6	1.2	1	0.4	0.1
Max. intermittent transmittable power (W)	2	1.5	1.3	0.5	0.13
Average backlash no load (°)	1.5	1.8	2	2.2	2.5
Max. axial load (dynamic) (N)	5	5	5	5	5
Max. radial load (4mm from flange) (N)	5	10	15	20	25
Bearing at output	ball bearing	ball bearing	ball bearing	ball bearing	ball bearing
Axial play (mm)	< 0.1	< 0.1	< 0.1	< 0.1	< 0.1

\* Note: Data above does not include the motor. Specifications can be customized per customer requirements.

### Modular assembly

Integrated Product	Part No.	Number of stages				
		1	2	3	4	5
		Length(mm)				
DC Motor	1015 Φ10mm graphite brush	23.6	27.1	30.5	33.5	36.9
	1020 Φ10mm graphite brush	29.3	32.8	36.2	39.2	42.6
Brushless Motor	1026 Φ10mm coreless brushless motor	36.6	40.1	43.5	46.5	49.9
Encoder	CB-ST-10	Magnetic Encoder				

### Product Specifications

PART NO.	Rated Voltage (V)	No-Load Data		Load Data			Overall Length (mm)	Gearbox Rated Allowable Torque (NM)	Gearbox Intermittent Allowable Torque (NM)	Reduction Ratio	Gearbox Length L1(mm)
		No-Load Speed (rpm)	No-Load Current (mA max)	Load Speed (rpm)	Load Current (A Max)	Torque (N.m)					
ZWSMD010010-4-X	12	9167	120	7361	1	0.005	36.6	0.01	0.02	4	8.6
ZWSMD010010-5-X	12	6226	120	5000	1	0.007				5	
ZWSMD010010-16-X	12	2063	120	1656	1	0.019	40.1	0.03	0.05	16	12.1
ZWSMD010010-20-X	12	1650	120	1325	1	0.024				20	
ZWSMD010010-25-X	12	1320	120	1060	1	0.030				25	
ZWSMD010010-64-X	12	516	120	414	1	0.067	43.5	0.1	0.15	64	15.5
ZWSMD010010-80-X	12	413	120	331	1	0.084				80	
ZWSMD010010-100-X	12	330	120	265	1	0.105				100	
ZWSMD010010-125-X	12	264	120	212	1	0.131				125	
ZWSMD010010-256-X	12	129	120	116	0.8	0.150	46.5	0.15	0.2	256	18.5
ZWSMD010010-320-X	12	103	120	95	0.8	0.150				320	
ZWSMD010010-400-X	12	83	120	78	0.8	0.150				400	
ZWSMD010010-500-X	12	66	120	63	0.8	0.150				500	
ZWSMD010010-625-X	12	53	120	51	0.8	0.150				625	
ZWSMD010010-1024-X	12	32	120	31	0.8	0.150	49.9	0.15	0.2	1024	21.9
ZWSMD010010-1280-X	12	26	120	25	0.8	0.150				1280	
ZWSMD010010-1600-X	12	21	120	20	0.8	0.150				1600	
ZWSMD010010-2000-X	12	17	120	16	0.8	0.150				2000	
ZWSMD010010-2500-X	12	13	120	13	0.8	0.150				2500	
ZWSMD010010-3125-X	12	11	120	10	0.8	0.150				3125	