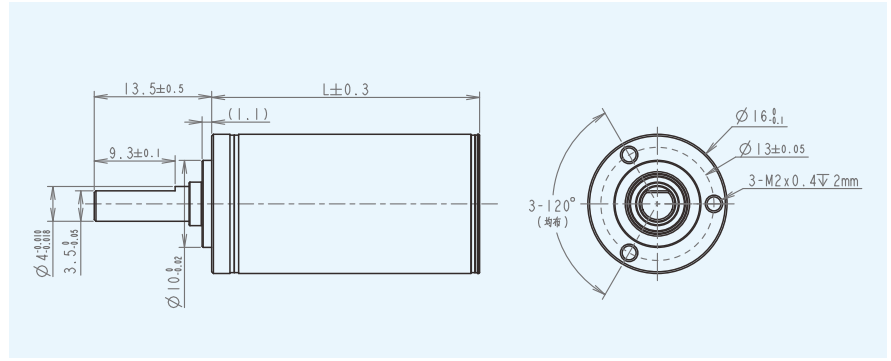


ZWSMD016016

Φ16mm Planetary Gearbox



Gearbox Technical Data

	2	3	4
Number of stages	2	3	4
Max. continuous torque (Nm)	0.55	0.8	0.9
Max. intermittent torque (Nm)	0.7	1	1.1
Reduction Ratio	16, 21, 26, 28, 35, 44	62, 83, 103, 111, 138, 150, 172, 186, 231	243, 326, 406, 439, 546, 590, 679, 734, 794, 913, 987, 1135, 1227, 1526
Outer Diameter (mm)	16	16	16
Gearbox Length L1(mm)	25.8	30.8	35.7
Max. efficiency (%)	80	70	60
Recommended temperature range (°C)	-30~+100	-30~+100	-30~+100
Max. Weight (G)	32.8	36.8	40.8
Max. continuous transmittable power (W)	8	4	1.5
Max. intermittent transmittable power (W)	10	4.4	1.5
Average backlash no load (°)	0.5	0.5	0.5
Max. axial load (dynamic) (N)	30	30	30
Max. radial load (4mm from flange) (N)	80	90	90
Bearing at output	ball bearing	ball bearing	ball bearing
Axial play (mm)	0~0.1	0~0.1	0~0.1

* Note: Data above does not include the motor. Specifications can be customized per customer requirements.

Modular assembly

Integrated Product	Part No.	Number of stages		
		2	3	4
		Length(mm)		
DC Motor	1625 Graphite brush	50.8	55.8	60.7
Brushless Motor	MC1636 Brushless	53.8	58.8	63.7
Encoder	CB-ST-16	Magnetic Encoder		

Product Specifications

PART NO.	Rated Voltage (V)	No-Load Data		Load Data			Overall Length (mm)	Gearbox Rated Allowable Torque (NM)	Gearbox Intermittent Allowable Torque (NM)	Reduction Ratio	Gearbox Length L1(mm)
		No-Load Speed (rpm)	No-Load Current (mA max)	Load Speed (rpm)	Load Current (A Max)	Torque (N.m)					
ZWSMD016016-16	24	3000	150	2500	1.15	0.055	53.8	0.55	0.7	16	25.8
ZWSMD016016-21	24	2286	150	1905	1.15	0.072				21	
ZWSMD016016-26	24	1846	150	1538	1.15	0.089				26	
ZWSMD016016-28	24	1714	150	1429	1.15	0.096				28	
ZWSMD016016-35	24	1371	150	1143	1.15	0.120				35	
ZWSMD016016-44	24	1091	150	909	1.15	0.151				44	
ZWSMD016016-62	24	774	170	645	1.2	0.213	58.8	0.8	1	62	30.8
ZWSMD016016-83	24	578	170	482	1.2	0.286				83	
ZWSMD016016-103	24	466	170	388	1.2	0.354				103	
ZWSMD016016-111	24	432	170	360	1.2	0.382				111	
ZWSMD016016-138	24	348	170	290	1.2	0.475				138	
ZWSMD016016-150	24	320	170	267	1.2	0.516				150	
ZWSMD016016-172	24	279	170	233	1.2	0.592	63.7	0.9	1.1	172	35.7
ZWSMD016016-186	24	258	170	215	1.2	0.640				186	
ZWSMD016016-231	24	208	170	173	1.2	0.795				231	
ZWSMD016016-243	24	198	190	165	1.25	1.100				243	
ZWSMD016016-326	24	147	190	123	1.25	1.100				326	
ZWSMD016016-406	24	118	190	99	1.25	1.100				406	
ZWSMD016016-439	24	109	190	91	1.25	1.100	439				
ZWSMD016016-546	24	88	190	73	1.25	1.100	546				
ZWSMD016016-590	24	81	190	68	1.25	1.100	590				
ZWSMD016016-679	24	71	190	59	1.25	1.100	679				
ZWSMD016016-734	24	65	190	54	1.25	1.100	734				
ZWSMD016016-794	24	60	190	50	1.25	1.100	794				
ZWSMD016016-913	24	53	190	44	1.25	1.100	913				
ZWSMD016016-987	24	49	190	41	1.25	1.100	987				
ZWSMD016016-1135	24	42	190	35	1.25	1.100	1135				
ZWSMD016016-1227	24	39	190	33	1.25	1.100	1227				
ZWSMD016016-1526	24	31	190	26	1.25	1.100	1526				