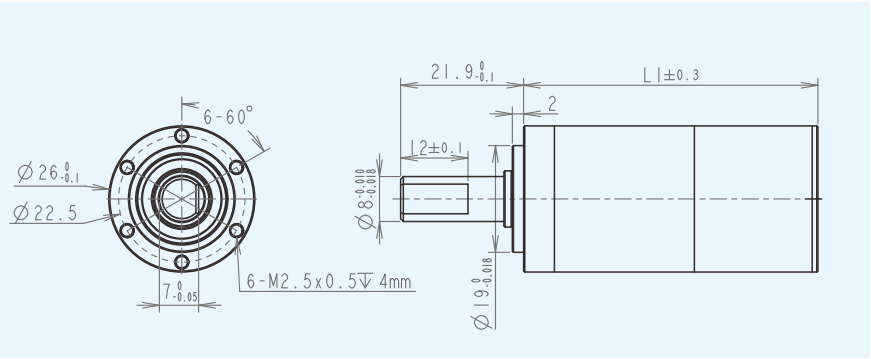


ZWSMD026026

Φ26mm Planetary Gearbox



Gearbox Technical Data

	2	3	4
Number of stages	2	3	4
Max. continuous torque (Nm)	3	5	6.3
Max. intermittent torque (Nm)	4	7	8
Reduction Ratio	16, 21, 26, 28, 35	62,83, 103,111, 138,150, 172,186, 231	243, 326, 406, 439, 546, 590, 679, 734, 794, 913, 987, 1135, 1227, 1526
Outer Diameter (mm)	26	26	26
Gearbox Length L1(mm)	35.9	44.9	52.4
Max. efficiency (%)	92	90	87
Recommended temperature range (°C)	-30~+85	-30~+85	-30~+85
Max. Weight (G)	120	132	145
Max. continuous transmittable power (W)	60	30	15
Max. intermittent transmittable power (W)	75	40	20
Average backlash no load (°)	0.5	0.5	0.5
Max. axial load (dynamic) (N)	110	110	110
Max. radial load (4mm from flange) (N)	180	180	180
Bearing at output	ball bearing	ball bearing	ball bearing
Axial play (mm)	0~0.1	0~0.1	0~0.1

* Note: Data above does not include the motor. Specifications can be customized per customer requirements.

Modular assembly

Integrated Product	Part No.	Number of stages		
		2	3	4
		Length(mm)		
DC Motor	MP2238 Φ22mm graphite brush	74.10	83.10	90.60
	MP2430 Φ24mm graphite brush	67.10	76.10	83.60
	MP2543 Φ25mm coreless carbon brush	79.40	88.40	95.90
	MP2554 Φ24mm coreless carbon brush	79.40	88.40	95.90
Brushless Motor	MC2453 Φ24mm coreless brushless	88.90	97.90	105.40
Encoder	CB-ST-22	Magnetic Encoder		

Product Specifications

PART NO.	Rated Voltage (V)	No-Load Data		Load Data			Overall Length (mm)	Gearbox Rated Allowable Torque (NM)	Gearbox Intermittent Allowable Torque (NM)	Reduction Ratio	Gearbox Length L1(mm)
		No-Load Speed (rpm)	No-Load Current (mA max)	Load Speed (rpm)	Load Current (A Max)	Torque (N.m)					
ZWSMD026026-16-X	24	813	460	747	3	0.3	88.9	3	4	16	35.9
ZWSMD026026-21-X	24	619	460	569	3	0.4				21	
ZWSMD026026-26-X	24	500	460	460	3	0.5				26	
ZWSMD026026-28-X	24	464	460	427	3	0.5				28	
ZWSMD026026-35-X	24	371	460	341	3	0.6				35	
ZWSMD026026-62-X	24	210	580	193	3.5	1.1	97.9	5	7	62	44.9
ZWSMD026026-83-X	24	157	580	144	3.5	1.5				83	
ZWSMD026026-103-X	24	126	580	116	3.5	1.9				103	
ZWSMD026026-111-X	24	117	580	108	3.5	2.0				111	
ZWSMD026026-138-X	24	94	580	87	3.5	2.5				138	
ZWSMD026026-150-X	24	87	580	80	3.5	2.7				150	
ZWSMD026026-172-X	24	76	580	69	3.5	3.1				172	
ZWSMD026026-186-X	24	70	580	64	3.5	3.3				186	
ZWSMD026026-231-X	24	56	580	52	3.5	4.2				231	
ZWSMD026026-243-X	24	53	700	49	4	4.2				105.4	
ZWSMD026026-326-X	24	40	700	37	4	5.7	326				
ZWSMD026026-406-X	24	32	700	29	4	7.1	406				
ZWSMD026026-439-X	24	30	700	27	4	7.6	439				
ZWSMD026026-546-X	24	24	700	22	4	9.5	546				
ZWSMD026026-590-X	24	22	700	20	4	10.3	590				
ZWSMD026026-679-X	24	19	700	18	4	11.8	679				
ZWSMD026026-734-X	24	18	700	16	4	12.8	734				
ZWSMD026026-794-X	24	16	700	15	4	13.8	794				
ZWSMD026026-913-X	24	14	700	13	4	15.9	913				
ZWSMD026026-987-X	24	13	700	12	4	17.2	987				
ZWSMD026026-1135-X	24	11	700	11	4	19.7	1135				
ZWSMD026026-1227-X	24	11	700	10	4	21.3	1227				
ZWSMD026026-1526-X	24	9	700	8	4	26.6	1526				

*The specifications above are for reference only. Changes may occur without prior notice. For specific requirements, please contact customer service.