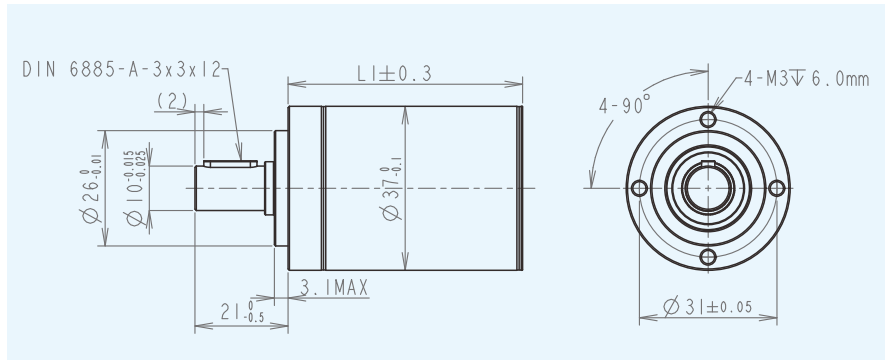


ZWSMD038038

Φ38mm Planetary Gearbox



Gearbox Technical Data

	1	2	3
Number of stages	1	2	3
Max. continuous torque (Nm)	2.3	5.4	9.3
Max. intermittent torque (Nm)	2.9	6.8	11.6
Reduction Ratio	3.9	16, 26	62, 83, 103, 111, 138, 150, 172, 186, 231
Outer Diameter (mm)	37	37	37
Gearbox Length L1(mm)	32.3	45.4	52.9
Max. efficiency (%)	96	93	90
Recommended temperature range (°C)	-40~+100	-40~+100	-40~+100
Max. Weight (G)	240	320	420
Max. continuous transmittable power (W)	185	90	45
Max. intermittent transmittable power (W)	230	115	60
Average backlash no load (°)	0.5	0.5	0.5
Max. axial load (dynamic) (N)	240	240	240
Max. radial load (4mm from flange) (N)	200	250	250
Bearing at output	ball bearing	ball bearing	ball bearing
Axial play (mm)	0~0.1	0~0.1	0~0.1

* Note: Data above does not include the motor. Specifications can be customized per customer requirements.

Modular assembly

Integrated Product	Part No.	Number of stages		
		1	2	3
		Length(mm)		
DC Motor	3571 Φ35mm coreless brushed	103.3	116.4	123.9
	3857 Φ38mm graphite brush	89.3	102.4	109.9
Brushless Motor	3657 Φ36mm brushless motor	89.3	102.4	109.9
Encoder	CB-ST-22	Magnetic Encoder		

Product Specifications

PART NO.	Rated Voltage (V)	No-Load Data		Load Data			Overall Length (mm)	Gearbox Rated Allowable Torque (NM)	Gearbox Intermittent Allowable Torque (NM)	Reduction Ratio	Gearbox Length L1(mm)
		No-Load Speed (rpm)	No-Load Current (mA max)	Load Speed (rpm)	Load Current (A Max)	Torque (N.m)					
ZWSMD038038-3.9-X	24	2085	600	1836	4	0.5	103.3	2.3	2.9	3.9	32.3
ZWSMD038038-16-X	24	508	600	448	4.5	1.8	116.4	5.4	6.8	16	45.4
ZWSMD038038-26-X	24	313	600	275	4.5	3.0				26	
ZWSMD038038-62-X	24	131	700	115	5	6.9	123.9	9.3	11.6	62	52.9
ZWSMD038038-83-X	24	98	700	86	5	9.2				83	
ZWSMD038038-103-X	24	79	700	70	5	11.4				103	
ZWSMD038038-111-X	24	73	700	65	5	12.3				111	
ZWSMD038038-138-X	24	59	700	52	5	15.3				138	
ZWSMD038038-150-X	24	54	700	48	5	16.7				150	
ZWSMD038038-172-X	24	47	700	42	5	19.1				172	
ZWSMD038038-186-X	24	44	700	38	5	20.7				186	
ZWSMD038038-231-X	24	35	700	31	5	25.7	231				