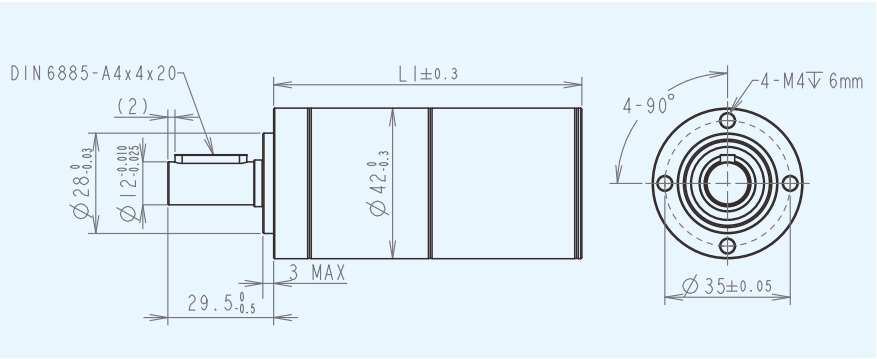


ZWSMD042042

Φ42mm Planetary Gearbox



Gearbox Technical Data

	1	2	3	4
Number of stages	1	2	3	4
Max. continuous torque (Nm)	4.5	18	32	35
Max. intermittent torque (Nm)	7	24	46	50
Reduction Ratio	3.9, 5.3	16, 21, 26, 28, 35	62, 83, 103, 111, 138, 150, 172, 186, 231	243, 326, 406, 439, 546, 590, 679, 734, 794, 913, 987, 1135, 1227, 1526
Outer Diameter (mm)	42	42	42	42
Gearbox Length L1(mm)	47.8	66.4	86	104.5
Max. efficiency (%)	96	93	90	87
Recommended temperature range (°C)	-40~+100	-40~+100	-40~+100	-40~+100
Max. Weight (G)	400	540	660	800
Max. continuous transmittable power (W)	650	460	200	40
Max. intermittent transmittable power (W)	820	580	250	50
Average backlash no load (°)	0.5	0.5	0.5	0.5
Max. axial load (dynamic) (N)	200	200	200	200
Max. radial load (4mm from flange) (N)	350	525	750	750
Bearing at output	ball bearing	ball bearing	ball bearing	ball bearing
Axial play (mm)	0~0.1	0~0.1	0~0.1	0~0.1

* Note: Data above does not include the motor. Specifications can be customized per customer requirements.

Modular assembly

Integrated Product	Part No.	Number of stages			
		1	2	3	4
		Length(mm)			
DC Motor	3571 Φ35mm coreless brushed	118.8	137.4	157	175.5
Brushless Motor	4088 Φ40mm coreless brushless motor	135.8	154.4	174	192.5
	4260 Φ42mm brushless motor	107.8	126.4	146	164.5
Encoder	CB-ST-22	Magnetic Encoder			

Product Specifications

PART NO.	Rated Voltage (V)	No-Load Data		Load Data			Overall Length (mm)	Gearbox Rated Allowable Torque (NM)	Gearbox Intermittent Allowable Torque (NM)	Reduction Ratio	Gearbox Length L1(mm)
		No-Load Speed (rpm)	No-Load Current (mA max)	Load Speed (rpm)	Load Current (A Max)	Torque (N.m)					
ZWSMD042042-3.9-X	24	2085	600	1836	9	0.5	118.8	4.5	7	3.9	47.8
ZWSMD042042-5.3-X	24	1534	600	1351	9	0.6				5.3	
ZWSMD042042-16-X	24	508	600	448	9	1.8	138	18	24	16	67
ZWSMD042042-21-X	24	387	600	341	9	2.4				21	
ZWSMD042042-26-X	24	313	600	275	9	3.0				26	
ZWSMD042042-28-X	24	290	600	256	9	3.2				28	
ZWSMD042042-35-X	24	232	600	205	9	4.0				35	
ZWSMD042042-62-X	24	131	700	115	9.5	6.9				62	
ZWSMD042042-83-X	24	98	700	86	9.5	9.2	83				
ZWSMD042042-103-X	24	79	700	70	9.5	11.4	103				
ZWSMD042042-111-X	24	73	700	65	9.5	12.3	111				
ZWSMD042042-138-X	24	59	700	52	9.5	15.3	157	32	46	138	86
ZWSMD042042-150-X	24	54	700	48	9.5	16.7				150	
ZWSMD042042-172-X	24	47	700	42	9.5	19.1				172	
ZWSMD042042-186-X	24	44	700	38	9.5	20.7				186	
ZWSMD042042-231-X	24	35	700	31	9.5	25.7				231	
ZWSMD042042-243-X	24	33	800	29	10	26.4				243	
ZWSMD042042-326-X	24	25	800	22	10	35.4	326				
ZWSMD042042-406-X	24	20	800	18	10	44.1	406				
ZWSMD042042-439-X	24	19	800	16	10	47.7	439				
ZWSMD042042-546-X	24	15	800	13	10	59.3	546				
ZWSMD042042-590-X	24	14	800	12	10	64.1	590				
ZWSMD042042-679-X	24	12	800	11	10	73.8	679				
ZWSMD042042-734-X	24	11	800	10	10	79.8	734				
ZWSMD042042-794-X	24	10	800	9	10	86.3	794				
ZWSMD042042-913-X	24	9	800	8	10	99.2	913				
ZWSMD042042-987-X	24	8	800	7	10	107.3	987				
ZWSMD042042-1135-X	24	7	800	6	10	123.4	1135				
ZWSMD042042-1227-X	24	7	800	6	10	133.4	1227				
ZWSMD042042-1526-X	24	5	800	5	10	165.8	1526				

*The specifications above are for reference only. Changes may occur without prior notice. For specific requirements, please contact customer service.